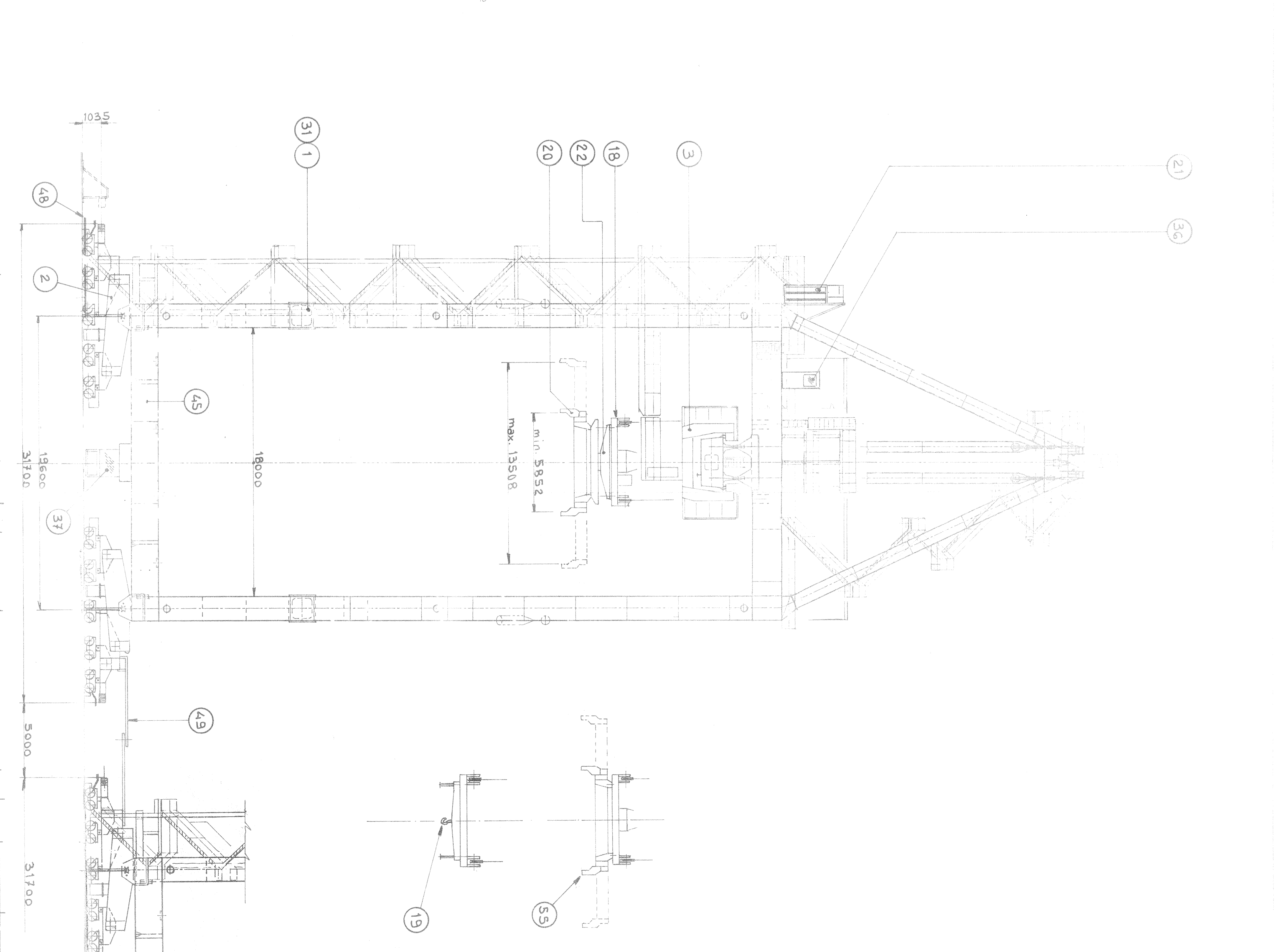


55	4232Z4	SPARE PARTS	1	
54		SPARE TOOLS	1	
53	401912/B	RITING BUSHING	3	150750
52	423432	ROPE GUIDE SUPPORTS	3	530
51	401983	RITING CARBIDE EMM	1	4290
50	401903	RITING COLLISION	1	1022
49	401903	LIMIT SWITCH LONG TRAVEL	1	318
48	465901	ELECTRICAL BRUSH	1	
45	423532	CONCRETE BALAST	3	600000
46				
47	401892	ROOM LIGHTS REARRANGEMENT	3	3200
40	401833	POWER CABLE TRIPPER/STOP	2	1400
39	401833/A	POWER CABLE TRIPPER/STOP	1	3810
38	423369	CHEEKER	3	4800
37	423301	ROOM HOIST CONTROL CAB	3	1500
35				
34		MISCELLANEOUS		
33		PAINTING	3	7500
31	401833	ELECTRICAL LINE	3	3300
30	401825	ELECTRICAL PARTS	3	2100
29	754859	PLATE DISPOSITION	1	1890
28	423305	CABLE STEEL-GUIDES	3	1200
27	423150/A	QUANTITY OF LUBRICATIONS	2	6115
26	423431	ROOM HOIST LIGHT SWITCH	3	300
25	423405/A	LIMIT SWITCH TRUCK	3	1170
23	423428			

22	465416	ROTOR	3	1200
21	423405	LIFT ASSEMBLY	3	5510
20	465417	SPAREBAR	3	3000
19	423369/A	HOOK BRM. 55.1	3	8000
18	423369/A	HEAD BLOCK ASSEMBLY	3	15330
17	401833	PULLEY-HINDER. FINS	3	1800
16	401833/C	ROPE AND SH. OTHER OTHERS	3	8220
15	423368	SOCKET AND SHIMMS	2	5135
14	423343	BACK BRM WITH SHIMMS	2	5335
13	423397	BRACKET-ROLETS ROPE GUIDE	3	5335
12				
11	443157	ROPE HOISTING LAMP	3	14910
10	443152	ROPE HOISTING LAMP	3	12970
9	401811	ROOM HOIST WINCH	3	4800
8	401811/B	MAIN HOIST WINCH	3	81000
7				
6				
5	401898/A	MACHINERY HOUSE	3	80400
4	401815/C	TROLLEY ASSEMBLY	3	87300
3	401898/E	SHUNT TRAVELLING ASSEMBLY	3	36950
2				
1	401830/A	STRUCTURE	3	12970



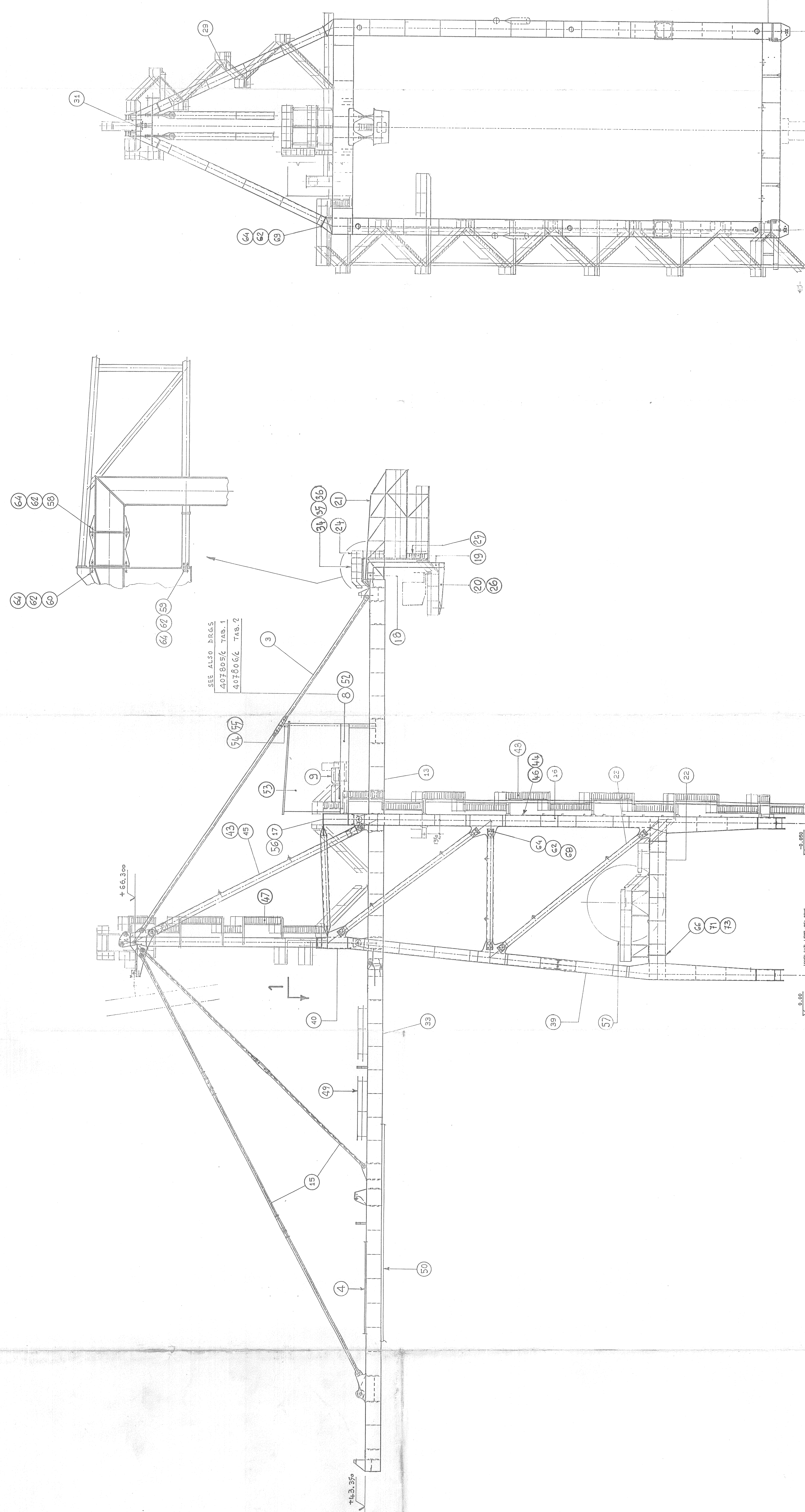
PROJECT: ...
 DRAWING NO: ...
 DATE: ...
 SCALE: ...
 407889/A

Fig. 1 esecuzione della bulloneria veduta Norme CT
 82.04.1 bulloni in materiale 10.9 devono essere
 serrati mediante chiave dinamometrica con i seguenti
 momenti di serraggio:

BULLONI NERI	BULLONI ZINGATI
M16: 350 Nm	M16: 310 Nm
M20: 550 Nm	M20: 490 Nm
M24: 1100 Nm	M24: 980 Nm
M27: 1600 Nm	M27: 1400 Nm

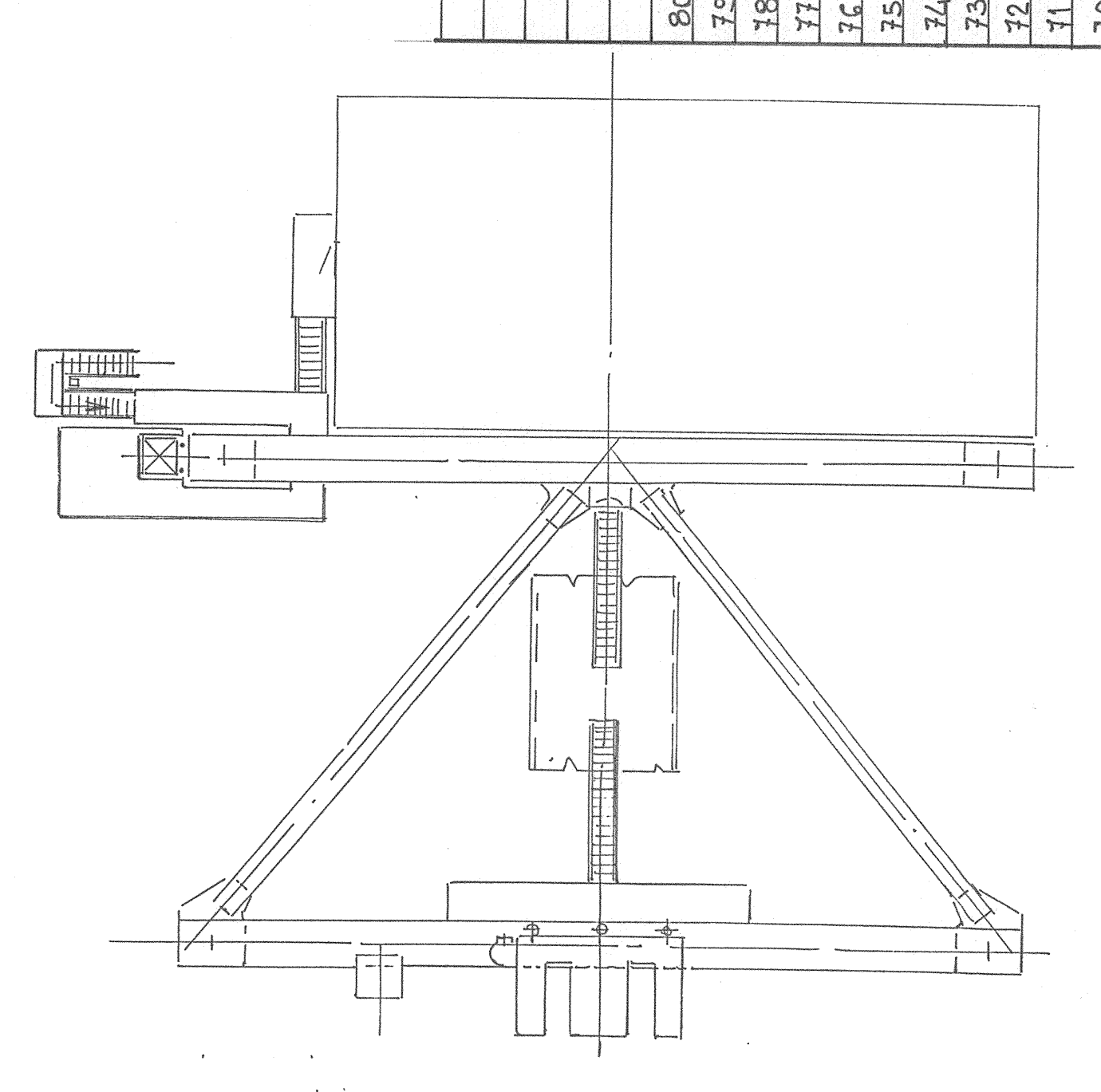
-For the execution of the bolts see standard CT
 82.04. The bolts in material 10.9 should be
 tightened by means of a dynamic wrench with
 the following tightening moments:

BLACK BOLTS	SALVANIZED BOLTS
M16: 350 Nm	M16: 290 Nm
M20: 550 Nm	M20: 490 Nm
M24: 1100 Nm	M24: 980 Nm
M27: 1600 Nm	M27: 1400 Nm



423118/5 - VALORI TOLLERANZE COSTRUZIONE
 - TOLERANCE VALUES

POS.	DISEGNO	DESCRIZIONE	PEZZI	UNIT	MATERIALE	PESO
65		WASHER Z5	296	5714	C.50 80x1.4	
64		MUT M24	148	5713	8.6-GR4	
63		SCREW M24 x 90	12	5712	10.9	
62		SCREW M24 x 80	8	5712	10.9	
61		SCREW M24 x 65	16	5712	10.9	
60		CABLE REEL ARRANGEMENT PLATING FOR ANCHORING POINT	1			2240
59		SUPPORT	1			2355
58		CORNER RUNWAY	1			192
57		SCREW M24 x 90	1			7770
56		SCREW M24 x 80	1			1495
55		SCREW M24 x 65	1			675
54		SCREW M24 x 50	1			2200
53		SCREW M24 x 40	1			2880
52		SCREW M24 x 30	1			1600
51		SCREW M24 x 20	1			685
50		SCREW M24 x 10	2	(13-15)		13880
49		SCREW M24 x 5	1			195
48		SCREW M24 x 4	1			4280
47		SCREW M24 x 3	2			18080
46		SCREW M24 x 2	2	(1D+1S)		55100
45		SCREW M24 x 1	1			340
44		SCREW M24 x 0.5	1			400
43		SCREW M24 x 0.2	1			310
42		SCREW M24 x 0.1	1			40735-D 53950
41		SCREW M24 x 0.05	1			7825
40		SCREW M24 x 0.02	2			12800
39		SCREW M24 x 0.01	1			130
38		SCREW M24 x 0.005	1			
37		SCREW M24 x 0.002	1			
36		SCREW M24 x 0.001	1			
35		SCREW M24 x 0.0005	1			
34		SCREW M24 x 0.0002	1			
33		SCREW M24 x 0.0001	1			
32		SCREW M24 x 0.00005	1			
31		SCREW M24 x 0.00002	1			
30		SCREW M24 x 0.00001	1			
29		SCREW M24 x 0.000005	1			
28		SCREW M24 x 0.000002	1			
27		SCREW M24 x 0.000001	1			
26		SCREW M24 x 0.0000005	1			
25		SCREW M24 x 0.0000002	1			
24		SCREW M24 x 0.0000001	1			
23		SCREW M24 x 0.00000005	1			
22		SCREW M24 x 0.00000002	1			
21		SCREW M24 x 0.00000001	1			
20		SCREW M24 x 0.000000005	1			
19		SCREW M24 x 0.000000002	1			
18		SCREW M24 x 0.000000001	1			
17		SCREW M24 x 0.0000000005	1			
16		SCREW M24 x 0.0000000002	1			
15		SCREW M24 x 0.0000000001	1			
14		SCREW M24 x 0.00000000005	1			
13		SCREW M24 x 0.00000000002	1			
12		SCREW M24 x 0.00000000001	1			
11		SCREW M24 x 0.000000000005	1			
10		SCREW M24 x 0.000000000002	1			
9		SCREW M24 x 0.000000000001	1			
8		SCREW M24 x 0.0000000000005	1			
7		SCREW M24 x 0.0000000000002	1			
6		SCREW M24 x 0.0000000000001	1			
5		SCREW M24 x 0.00000000000005	1			
4		SCREW M24 x 0.00000000000002	1			
3		SCREW M24 x 0.00000000000001	1			
2		SCREW M24 x 0.000000000000005	1			
1		SCREW M24 x 0.000000000000002	1			



407734/F
 STRUTTURA
 GENERAL ASSEMBLY
 15.1519